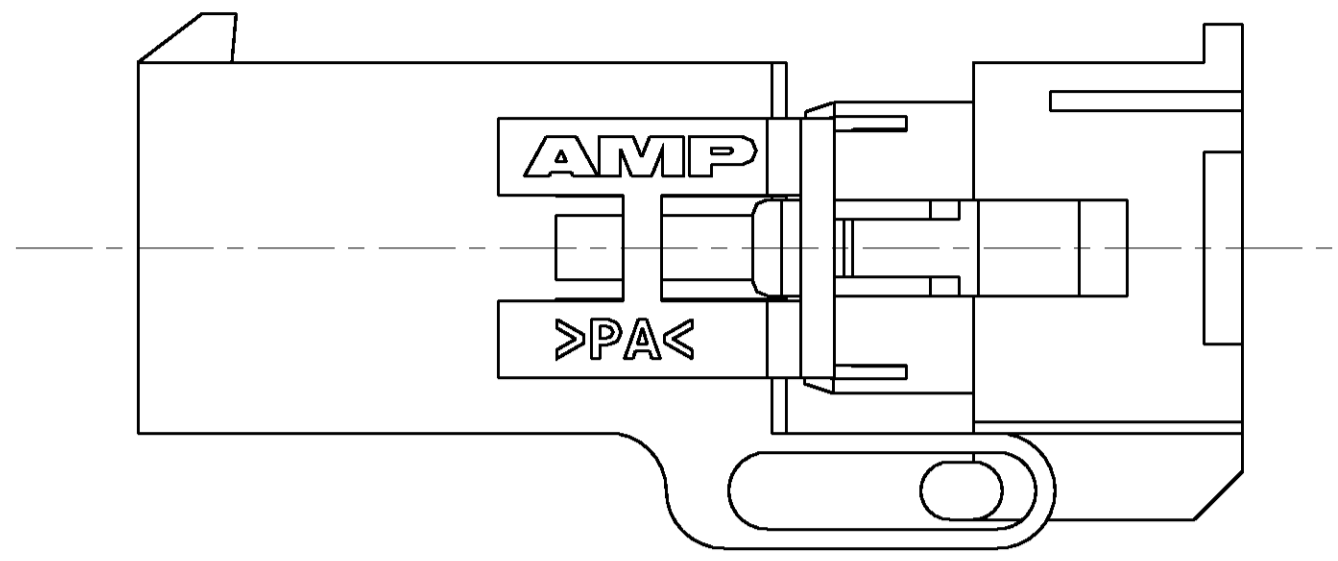
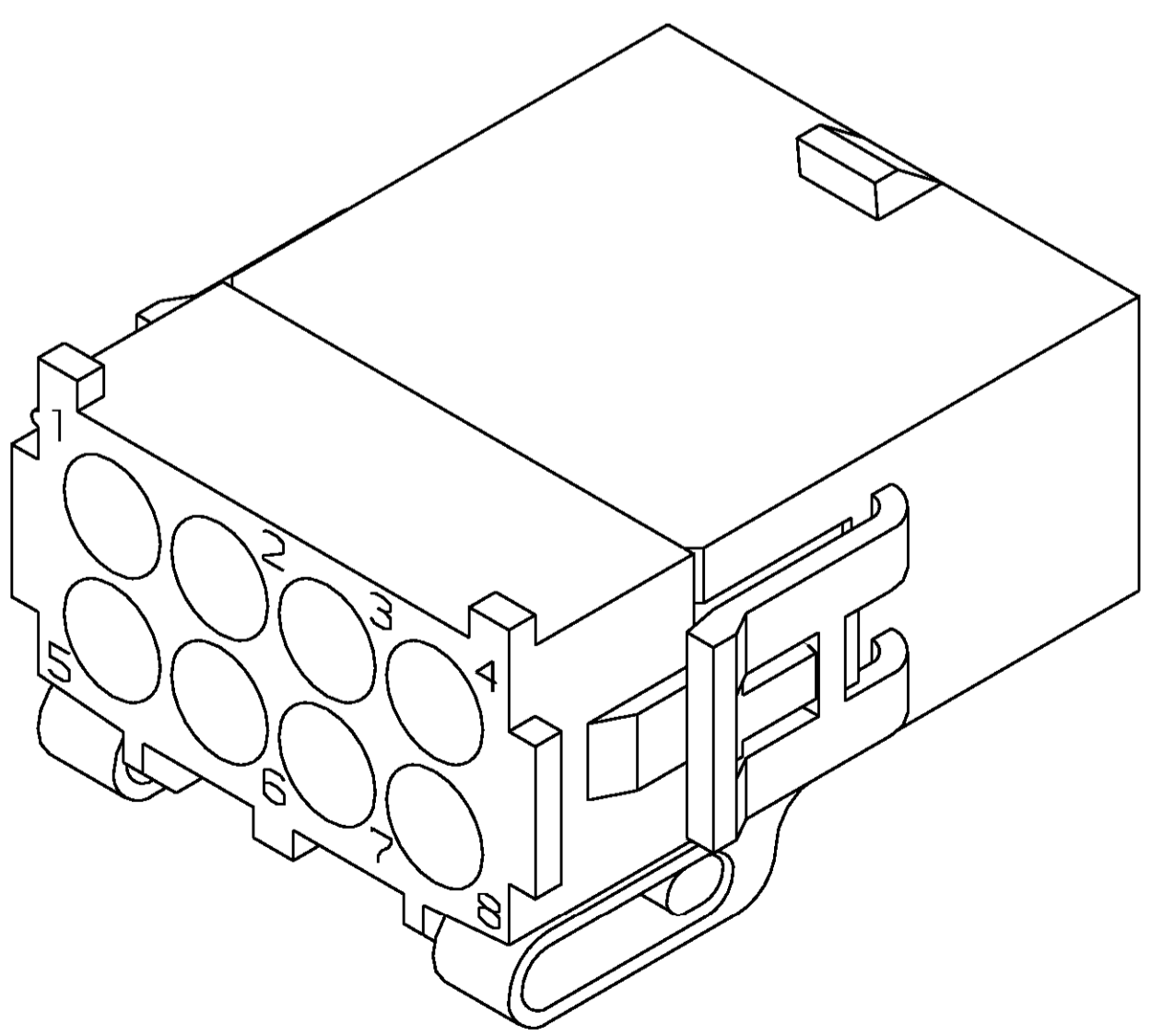
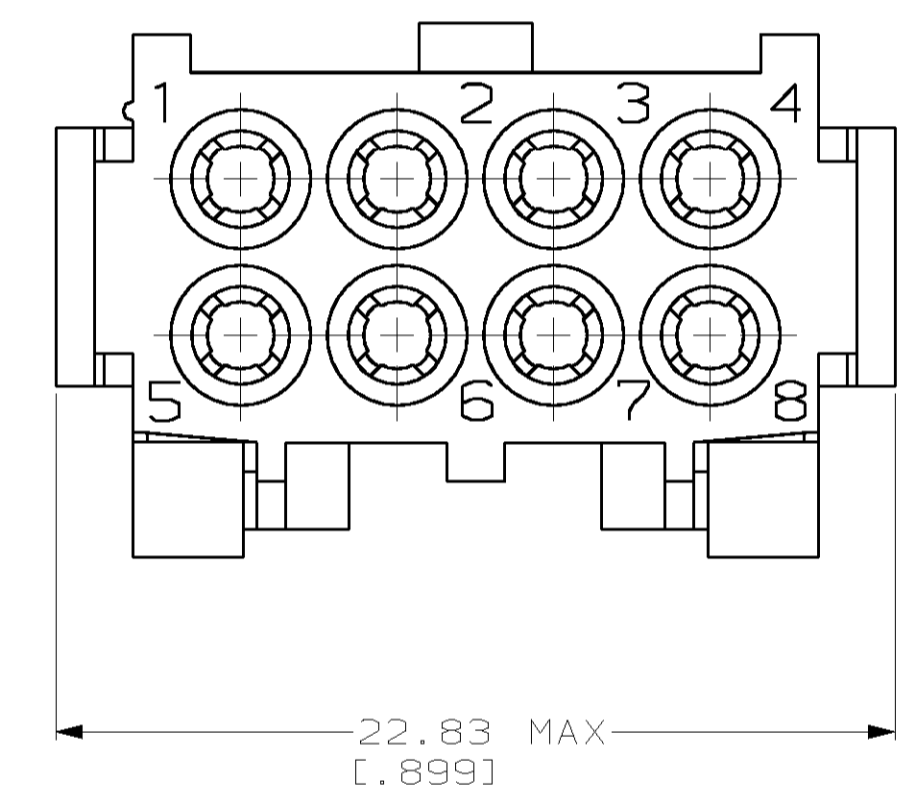
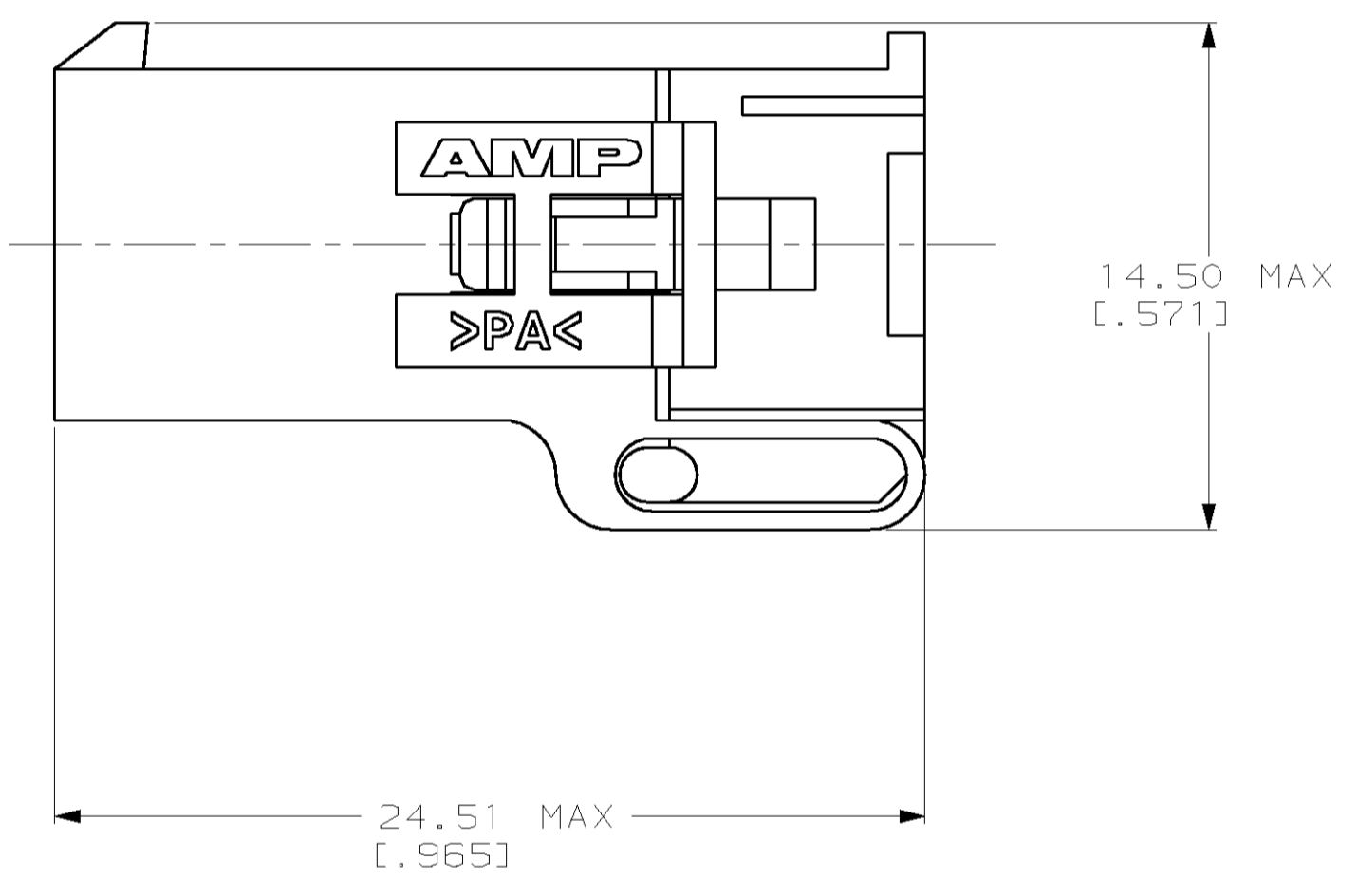
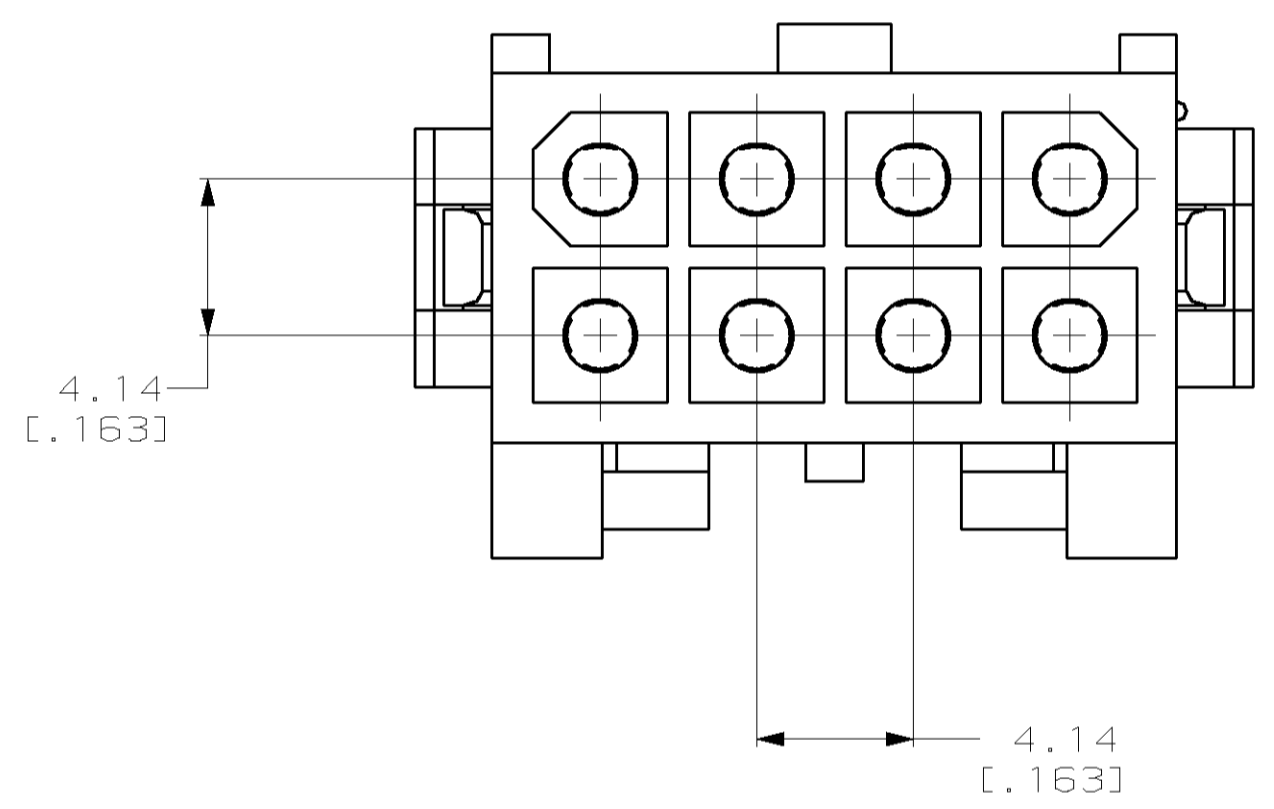


LOC	DIST	REV	DATE	BY	CHK	APPROV
CM	53	B	23-SEP-99	KW	KC	

1. DIMENSIONS IN BRACKETS ARE IN INCHES.



PRE-STAGED CONDITION



3-DIMENSIONAL MODEL
NTS

794193-1
PART NUMBER

METRIC

THIS DRAWING IS A CONTROLLED DOCUMENT.		DWN K. WHITAKER 5-13-97	AMP AMP Incorporated Harrisburg, PA 17105-3608
DIMENSIONS: mm		CHK R. SWING 5-13-97	
TOLERANCES UNLESS OTHERWISE SPECIFIED:		APPROV R. ORSTAD 5-13-97	NAME CAP, 8 CIRCUIT, MINI UNIVERSAL MATE-N-LOK™ 2
0 PLC ±	0.13 (0.005)	PRODUCT SPEC	SIZE CAGE CODE DRAWING NO
1 PLC ±		APPLICATION SPEC	A1 00779 C-794193
2 PLC ±		FINISH	RESTRICTED TO
3 PLC ±		MATERIAL NYLON, UL 94V-0, NATURAL	SCALE 5:1 SHEET 1 OF 1 REV B
4 PLC ±		WEIGHT	CUSTOMER DRAWING
ANGLES ±			